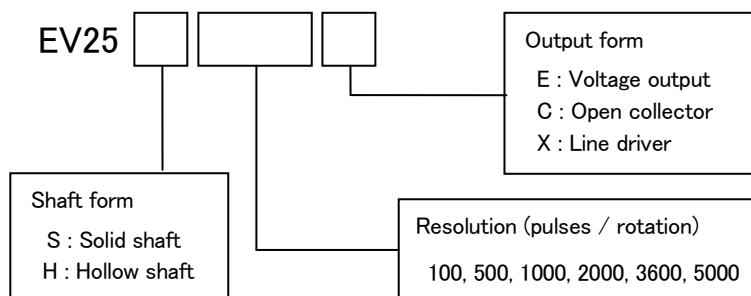


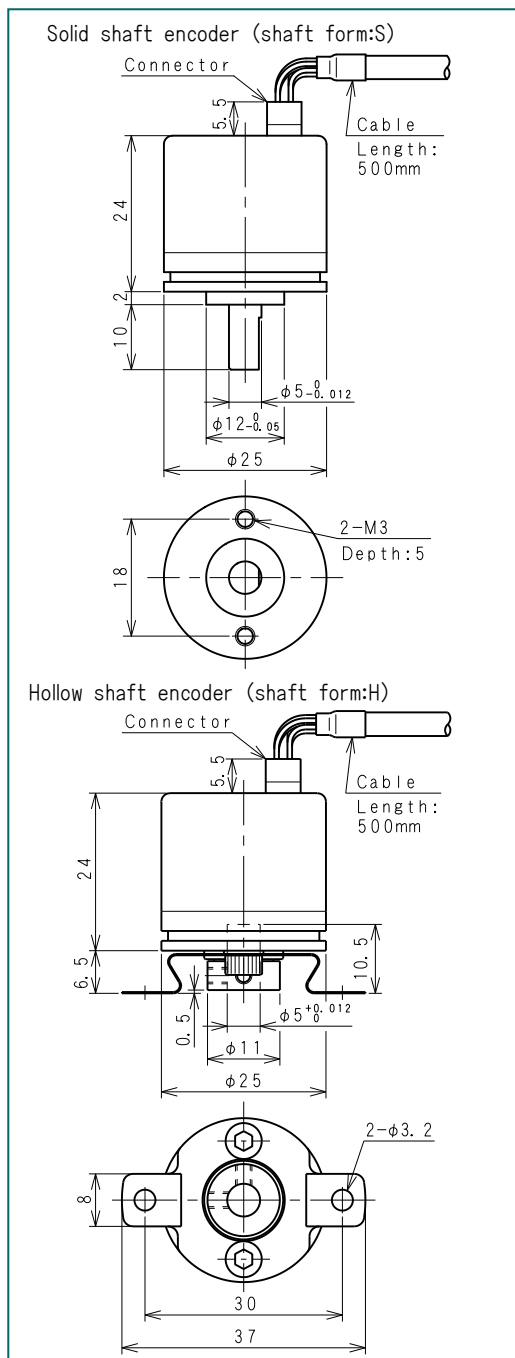
EV25 Series

■ Features ■

- Incremental
- External diameter of 25 mm, depth of 24 mm
- Maximum line count is 5000

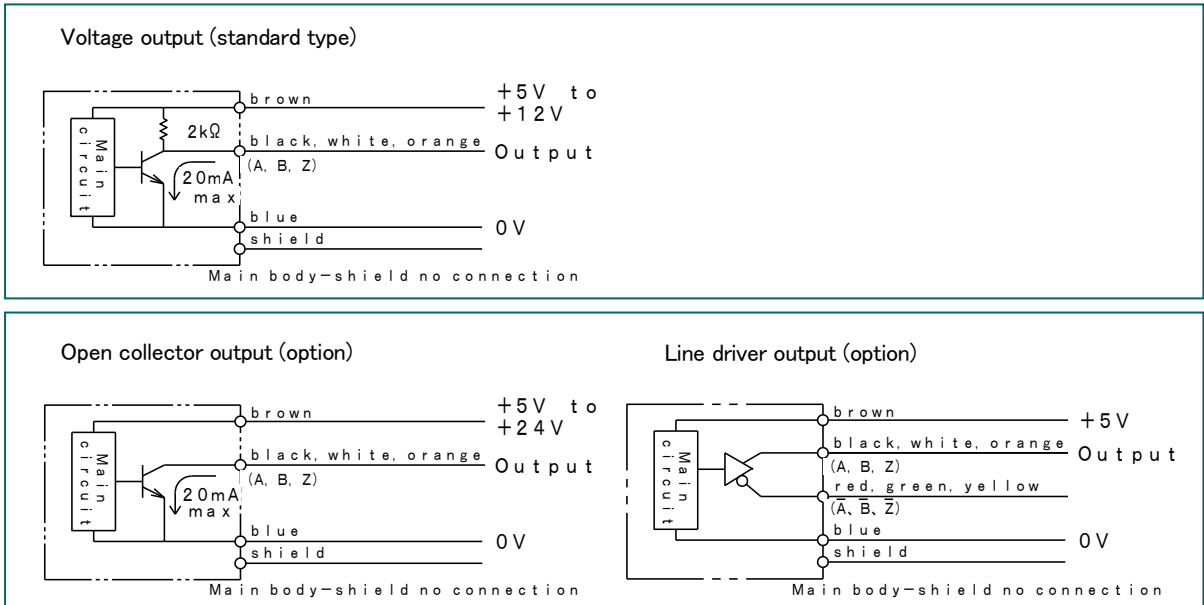


Item	Rating	
Supply voltage	Voltage output	5 to 12 VDC $\pm 10\%$
	Open collector	5 to 24 VDC $\pm 10\%$
	Line driver	5 VDC $\pm 5\%$
Consumption current	40 mA or less (under no load)	
Detection system	Incremental	
Resolution (pulses/rotation)	100, 500, 1000, 2000, 3600, 5000	
Output form	Square wave	Voltage output (E) NPN Open collector (C) Line driver (X)
Output phases	Phases A, B, and Z (Z="H")	
Output phase difference	A, B phase difference $90^\circ \pm 45^\circ$ (T/4 \pm T/8) Z phase T \pm T/2 (see Output Waveform)	
Maximum response frequency	100 kHz	
Starting torque	$1 \times 10^{-3} \text{N}\cdot\text{m}$ (10gf \cdot cm) or less	
Allowable load of shaft (electrical)	Radial	10 N
	Thrust	5 N
Maximum allowable number of revolutions (mechanical)	6000 r/min	
Operating ambient temperature/humidity	0°C to 70°C RH 35% to 90% no dewing	
Storage ambient temperature	-20°C to 80°C	
Protective structure	IP50	
Mass	40 g	

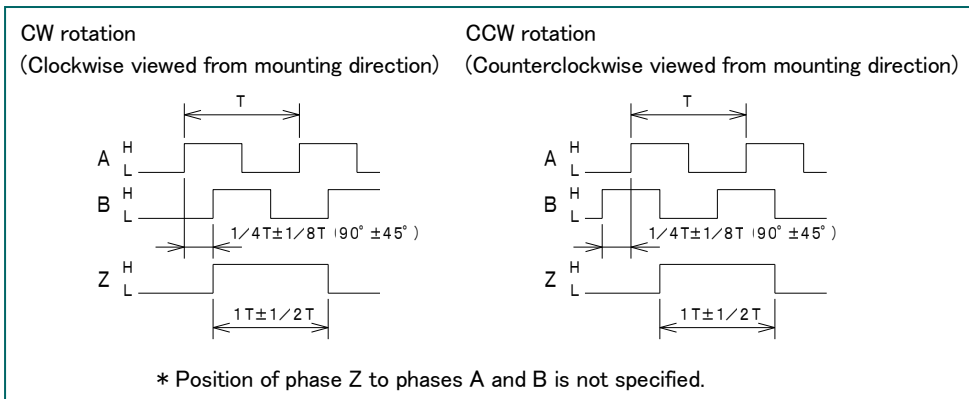


EV25 Series

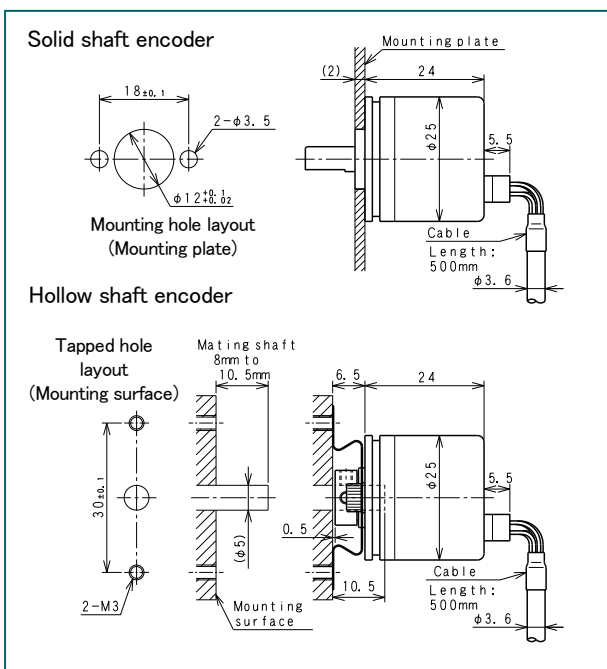
Output circuit diagram



Output waveform



Mounting



Connection

Color	Voltage output Open collector output	Line driver output
Brown	Power supply	Power supply
Blue	0V	0V
Black	Phase A	Phase A
Red	—	Phase \bar{A}
White	Phase B	Phase B
Green	—	Phase \bar{B}
Orange	Phase Z	Phase Z
Yellow	—	Phase \bar{Z}

Cable

3.6-dia. heat-resistant shielded vinyl cable with 5 conductors (line driver: 8 conductors)

EXTCOM EXTCOM Inc.



羅比亞股份有限公司
ROBOT V.S. AUTOMATION

電話: 02-25065930
信箱: tomas@rva-tw.com
網址: www.rva-tw.com